

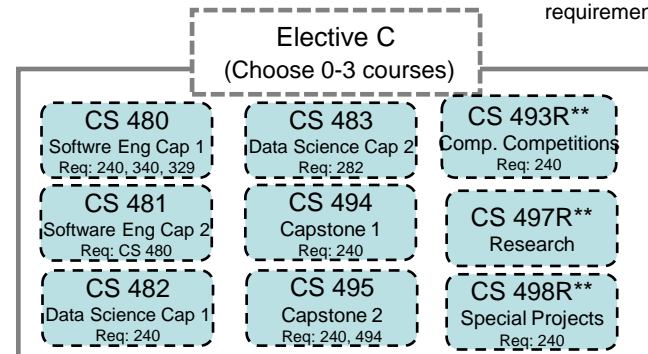
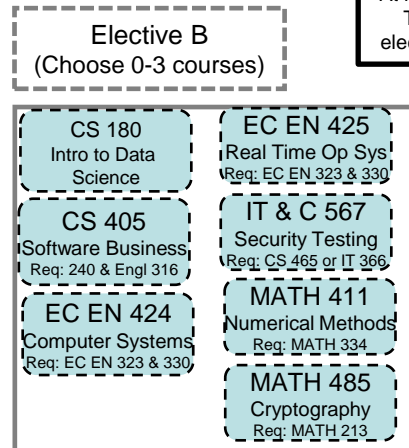
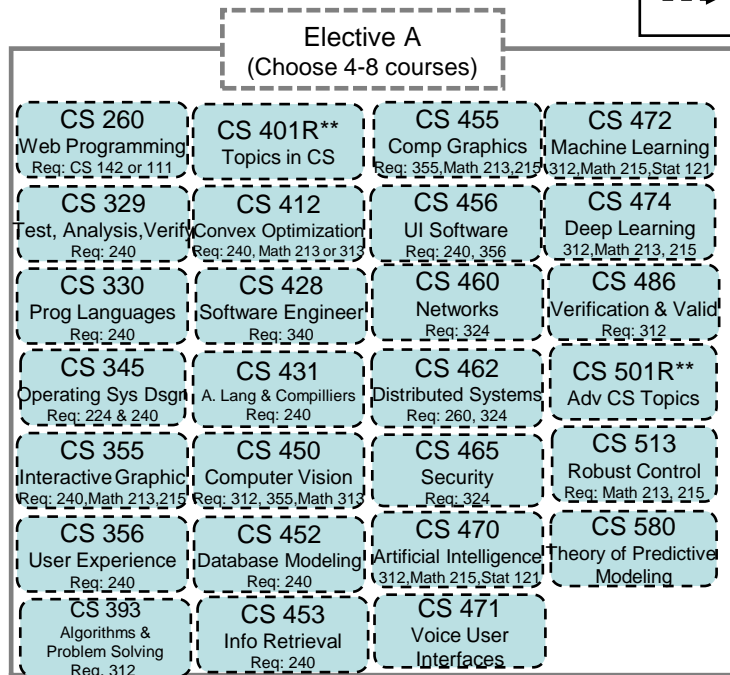
BYU Computer Science Major

Fall 2022 Requirements

Major (74 Hours)

- Grades below C- are not allowed in major courses.
- Complete the following courses: CS 111, 224, 235, 236, 240, 252, 312, 324, 340, 404
- Complete the following supporting courses: WRTG 316, Math 112, 113, 213, 215, and Phscs 121
- Complete one of the following: Math 431, Stat 121 or Stat 201
- Complete a total of 8 elective courses from the follow three groups:
 - 4-8 courses **must** be from the following courses: CS 260, 329, 330, 340, 345, 355, 356, 393, 401R**, 412, 428, 431, 450, 452, 453, 455, 456, 460, 462, 465, 470, 471, 472, 474, 486, 501R**, 513, 580
 - Up to 3 courses from the following courses: CS 180, 405, EC EN 424, EC EN 425, IT & C 567, MATH 411, MATH 485
 - Up to 3 courses from the following courses: CS 480, 481, 482, 483, 493R**, 494, 495, 497R**, 498R**
 (If CS 401R, 493R, 497R, 498R, or 501R is chosen, it must be taken for three credit hours)

Guide only---please consult MyMap for full requirements.



Elective Information:
Students must complete a total of 8 elective courses. At least 4 electives **must** come from elective group A. The remaining 4 electives can be taken from the elective groups A (up to 4), B (up to 3), or C (up to 3).

**Must be taken for 3 hours to fill the requirement

